

SPECIFICATION

GlossEye Imaging Gloss Measurement System

WeSpectra (Shanghai) Co., Ltd

Building 6, No. 551 Zhenda Road, Baoshan District, Shanghai
T +86 166 0189 0018 · info@wespectra.com · www.wespectra.com

WESPECTRA

Introduction

WeSpectra GlossEye Imaging Gloss Measurement System is an innovative image-based gloss measurement system. It is designed for ultra-small sample gloss measurement. Excellent optical design and compensation algorithm ensure stable measurements over long measurement periods. Strict calibration ensures inter-instrument agreement. The software is user-friendly.



Features & Benefits

- Ultra-small sample gloss measurement, the measurement area is from 4×3mm to 0.5×0.5mm, Capability to measure extreme small samples
- The measured GU of the sample are not affected by the sample not completely covering the measurement window
- The software support image classification algorithm to achieve the clustering of pixels, enabling the classification and statistical measurement of the captured image
- Fast measurement, < 1s per measurement
- Long lifetime, the internal LED light source can achieve > 10 million measurements
- Excellent optical design and compensation algorithm ensure the extremely stable measurement over long measurement period with $\pm 0.1\text{GU}$ repeatability
- Accurate gloss measurements, conforms to international standards, ensuring high correlation with spot glossmeters on the market
- The sophisticated calibration algorithm guarantees minimal inter-instrument differences, compensating for the inter-instrument differences between WeSpectra device and traditional spot glossmeters on the market
- Non-contact, no requirement to touch the sample, increasing production efficiency and zero risk of contamination to the samples
- Users can easily select the ROI on the on the captured image, What you select on the images is what you measure

Part Numbering

GE – 2060/85/60m

- “GE” represents “GlossEye”
- “2060/85/60m” represents “2 angle 20° 60”, “1 angle 85°”, and “1 angle 60° Mass Production”

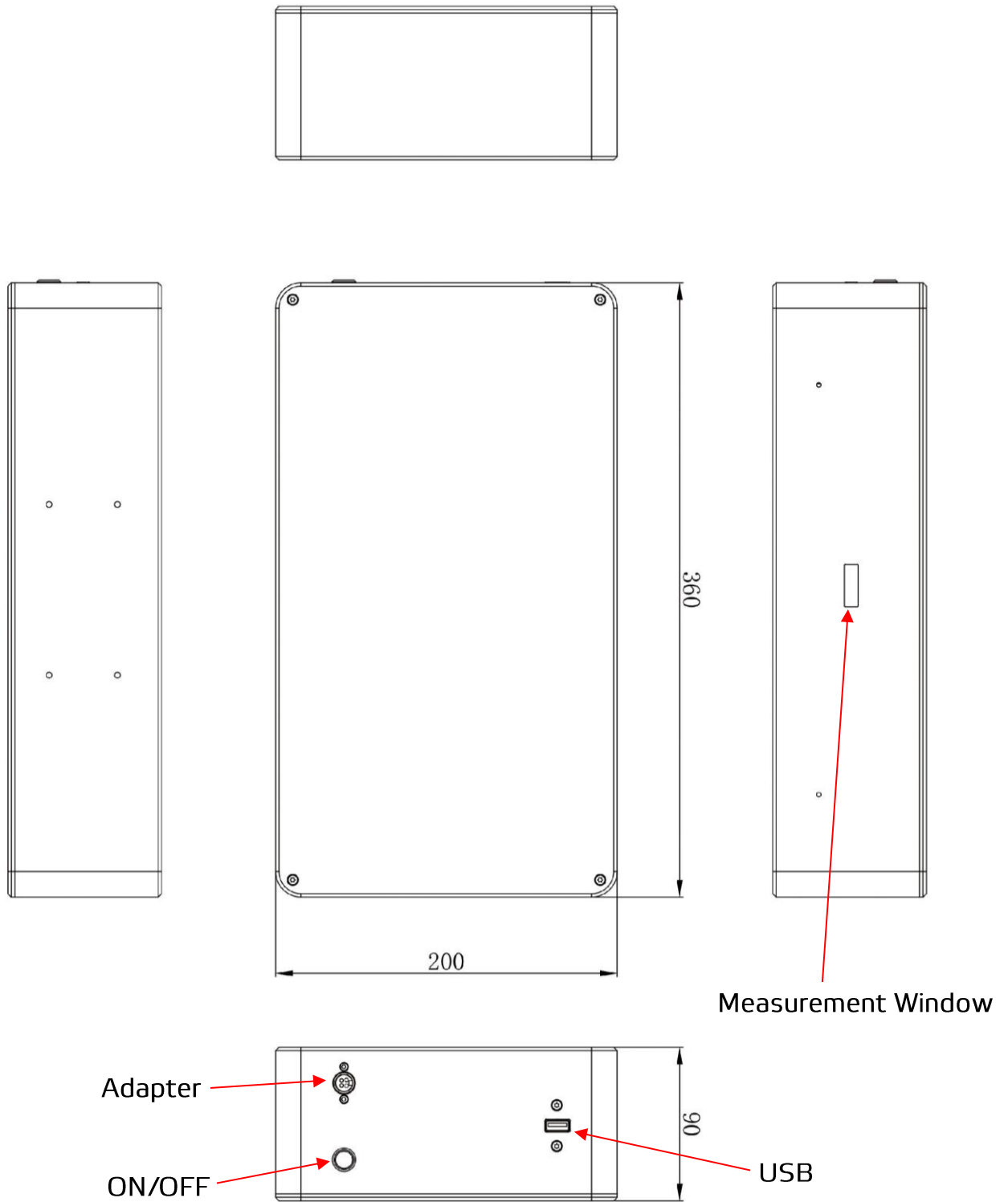
Specifications

GlossEye Imaging Gloss Measurement System*			
Model	GE-2060	GE-60m	GE-85
Geometry	20°, 60°	60°	85°
Resolution	0.1 GU		0.1 GU
Measurement range	20°: 0-1000 GU 60°: 0-1000 GU	0-1000 GU	0-160 GU
Repeatability	100 read on calibration standard Gloss range 0-200: ±0.1 GU Gloss range 200-1000: ±0.2%		100 read on calibration standard, ±0.1 GU
Reproducibility	Gloss range 0-20: ±0.2 GU Gloss range 20-200: ±0.5 GU Gloss range 200-1000: ±0.5%		±0.5 GU
Measurement distance	0 mm	2mm	0mm
Measurement mode	Single, Continuous (min interval < 1s)		
Measurement area	20°:1×2mm - 0.5×0.5mm 60°: 3×4mm - 0.5×0.5mm can be customized	60°:1.5×2mm- 0.5×0.5mm	85°:6×3mm- 0.5×0.5mm
Power	100 ~ 230V, 50/60Hz, 36w adapter		
Dimensions	~360×200×90mm	~212×120.5×77mm	~220×220×90mm
Weight	~6 kg	~2.5 kg	~3.8 kg
Control interface	USB 3.0		
Operating temperature	-10°C ~ +40°C, 23°C recommended		
Operating humidity	< 85%, 50% recommended		
Algorithms in Software	Compensation algorithm, inter agreement calibration algorithm		
Traceability	NIST or SIMT (Chinese National Gloss Master Equipment)		
Operating system	Window OS		

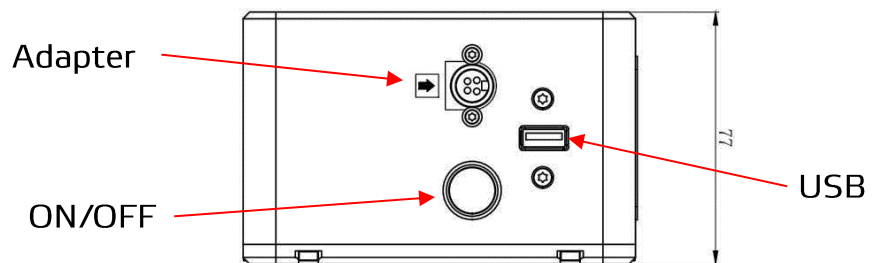
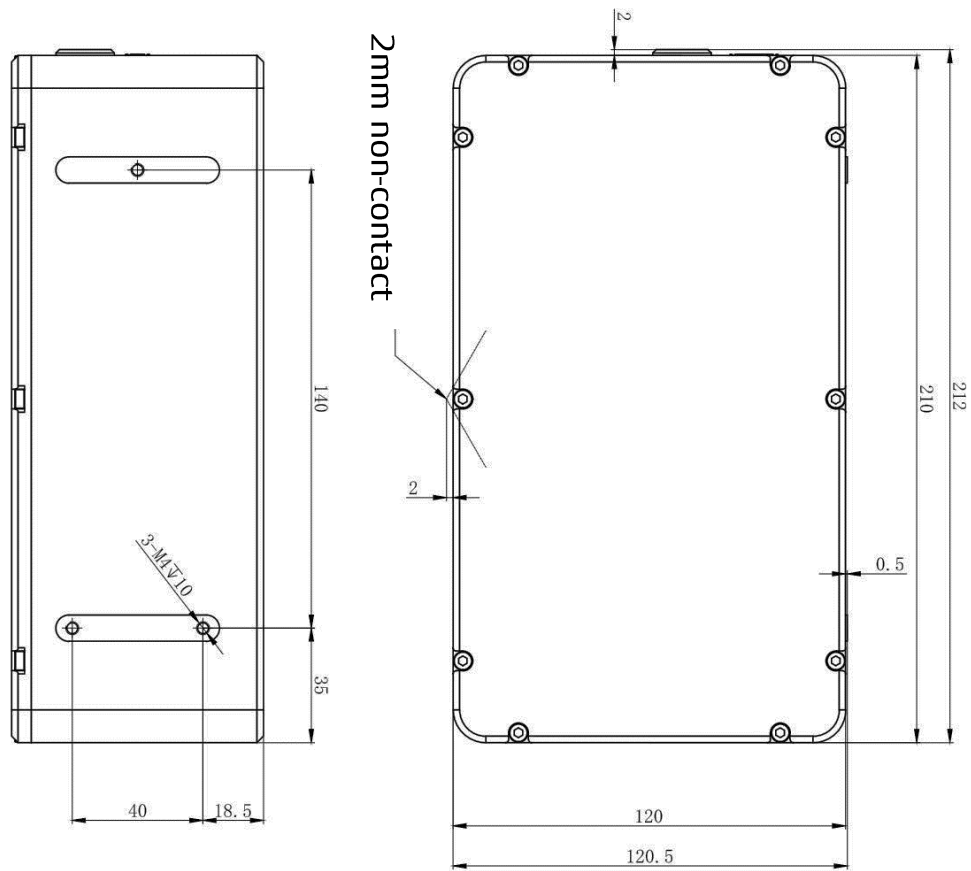
*Conform to standards, including ASTM D523, ASTM D2457, ISO 2813, ISO7668 , GB/T9754-2007

Dimensions

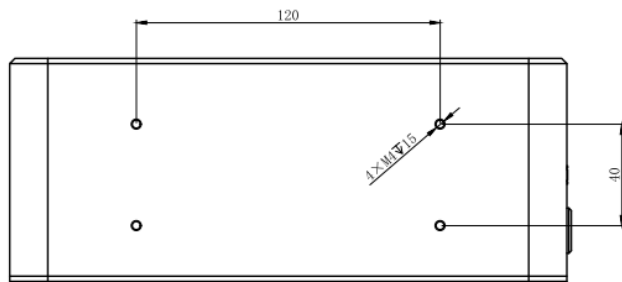
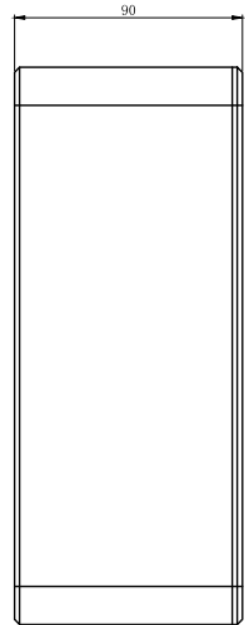
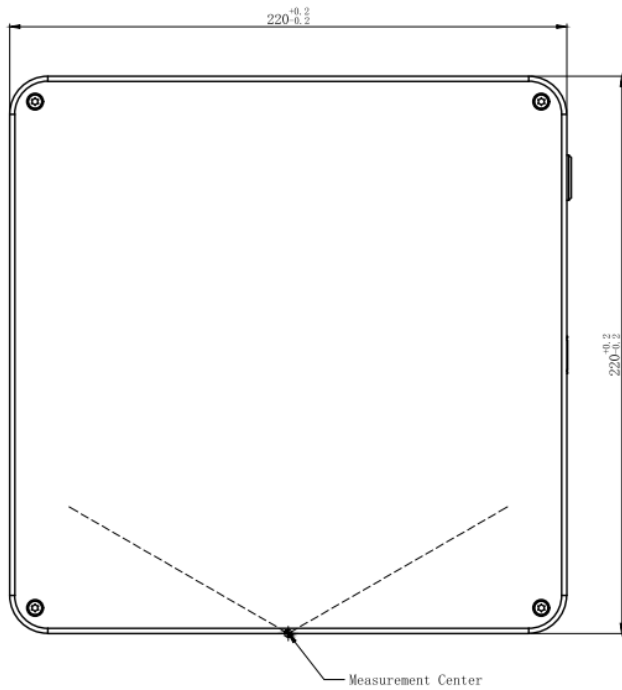
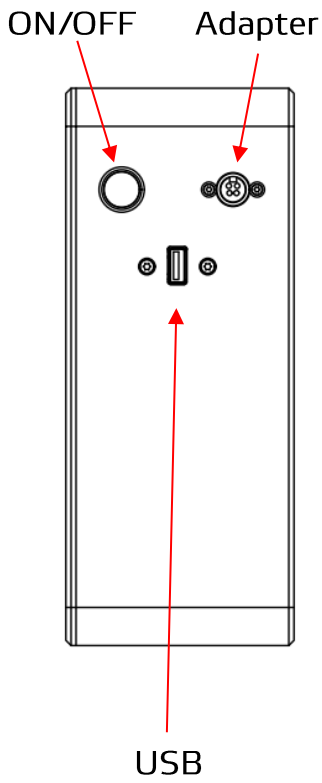
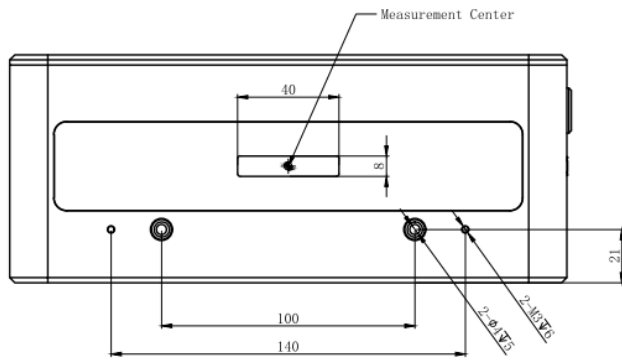
GE-2060



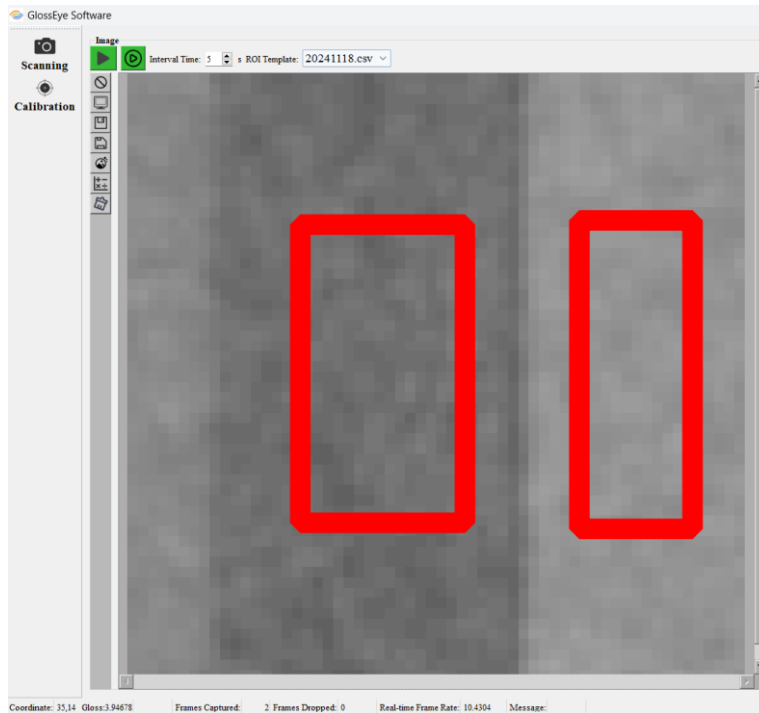
GE-60m



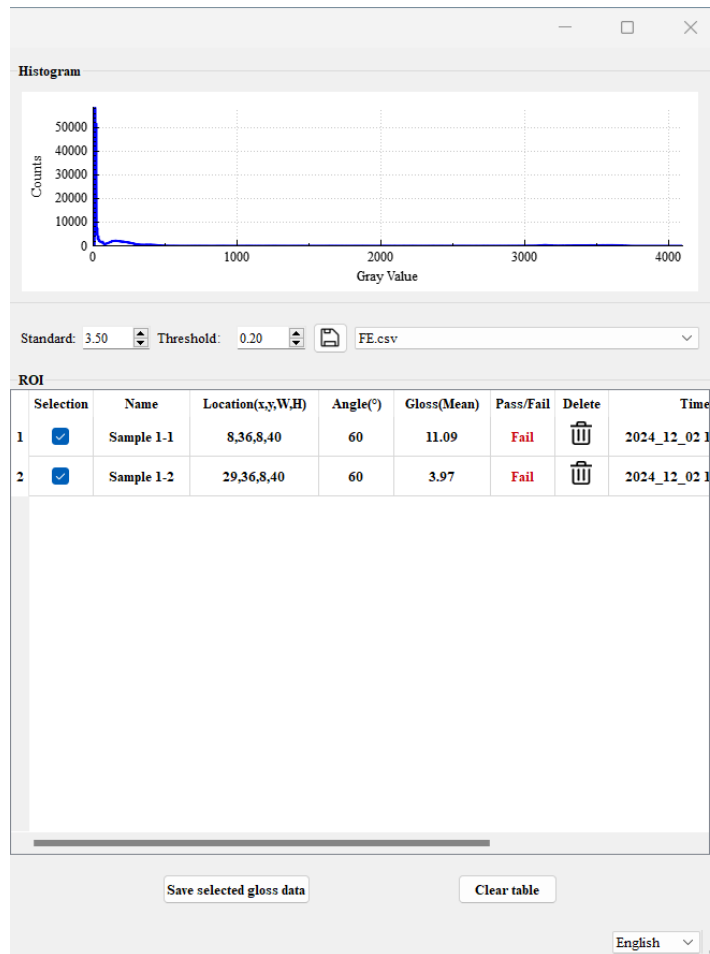
GE-85



Software Interface



Two ROI Selection in One Measurement



Two Gloss Value for above two ROI in One Measurement